

Starting block for new records in frozen food business

Grandor Frozen Food Island



Block siting of the Grandor island is the economical way to shoot ahead in frozen food sales. The right equipment makes the difference when out to beat past performance. Energy-economizing technology, long-lasting construction, functional design and extensive capabilities of combination ensure that you will come in a winner.

The more Grandor islands you install, the faster your business will spurt. Each one steels you to overtake the competition and stay in the lead. Public reaction will tell how well prepared you are to go the long distance. See for yourself how the abundant product facing area draws your customers on.

Linde

If you want to set new marks, start scoring early

Grandor..87 G has what it takes:

Huge productivity resulting from an exceptionally large **cubic capacity**. Display compartment matched to frozen food selections.

Flexible utilization of stocking capacity by using wire dividers and baskets.

Bumpers for protection from shopping cart collision damage – available in several colors.

Environmentally friendly due to use of R 404 A refrigerant and pentane as the insulation foaming agent, eliminating ozone depletion potential from construction and operation of the islands.

No-maintenance refrigeration system, no finned-tube condenser.

Four **leveler feet** for correct positioning and alignment.





Smooth-running sliding glass covers fitted with ergonomically designed handles, optimum sealing to save energy, easy-to-clean toughened safety glass for true-colour presentation of goods.

Easy and quick to clean thanks to smooth external and internal surfacing.

Cabinet has a potential-free alarm contact for connection to an external central alarm unit.

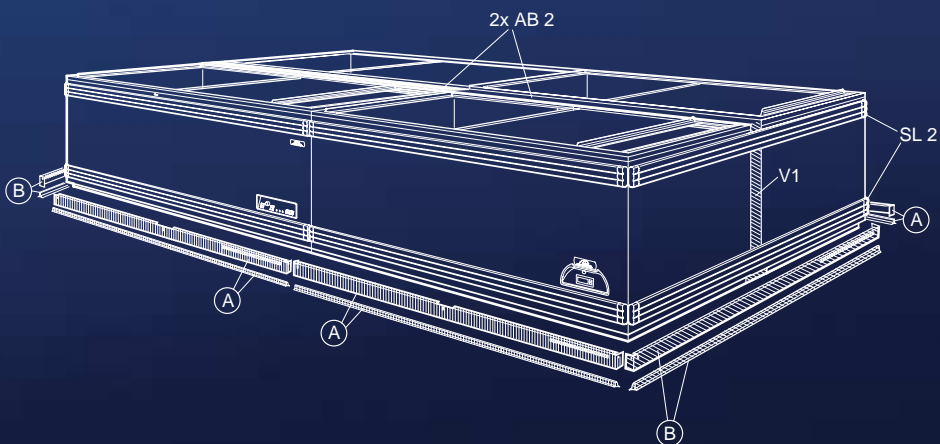
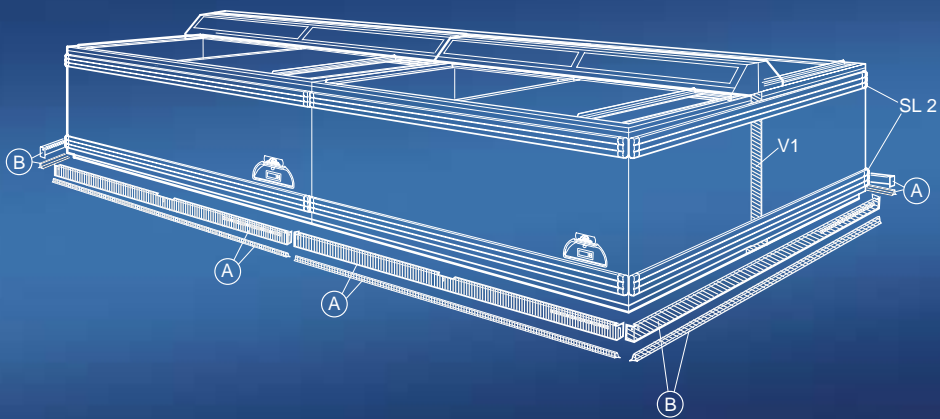
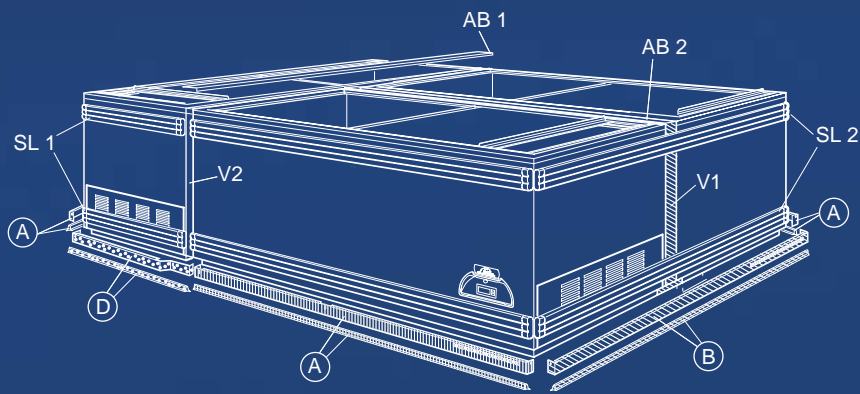
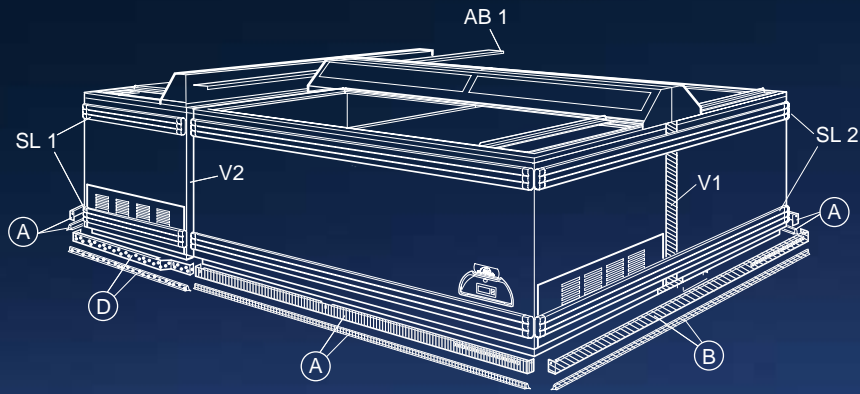
Electronic control unit: Digital refrigeration controller with operator and display panel. Digital readout of storage temperature builds better consumer confidence.

Front height 830 mm – comfortable reach for children.

Tested at 25 °C/60 % RH.
and 30 °C/55 % RH.

Just one of many winning formations
Two-by-two block grouping





A: Front plinth enclosure

B: End plinth enclosure

AB1: Top joint trim (between crown end and straight cases)

AB2: Top joint trim (between straight cases)

D: End plinth enclosure, crown end

V1: End wall joint trim

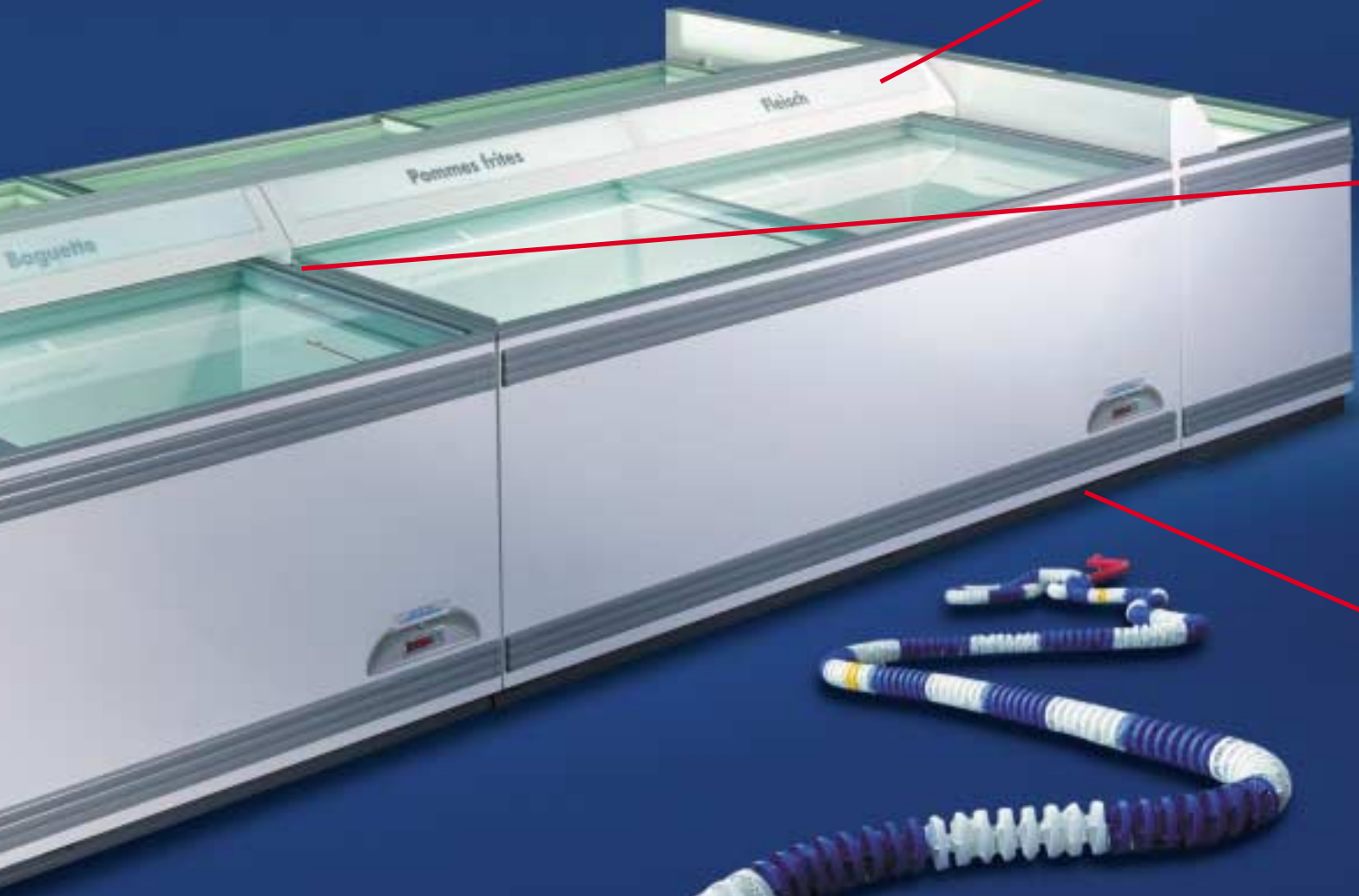
V2: Crown end joint trim

SL1: End bumper

SL2: Front bumper

Finding one's style:
Crown ends, display headers, shelf superstructures





Display header

Projects light forward and down onto merchandise. Lens lettering optional. Header and lenses can be exchanged simply without use of tools. Mounting surface for scanner price marking rail 60 mm or wider.



Locking catch

Conveniently and reliably locks grouped cases together so that they cannot be shoved out of line.



Anti-splash floor seal strip

Keeps water away from space under grouped cases during regular floor scrubbing, prevents dirt from collecting in inaccessible spots. Easy no-tools installation.



Covers and trims

Matched to merchandiser design and finish. To conceal electrical wiring and seal joints from ingress of dust and dirt. Easy no-tools installation.







Block grouping with display header



Block grouping with shelf superstructure



Block grouping with shelf superstructure and downfeed power lead

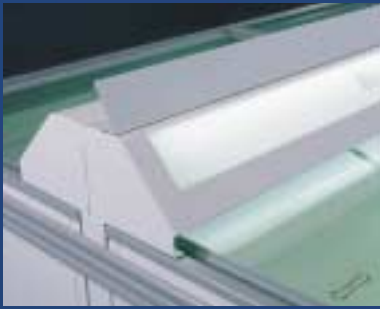
Putting size into profits

Grandor's bigness lies not in its external dimensions, rather in its invitingly roomy interior. Cubic capacity is about 15% larger than you get with comparable islands of the same footprint. That's the meaning of productivity. You don't need so much space in your coldroom and you don't have to restock so often.

Keeping up a smooth appearance

Grandor fits into your salesfloor layout with the neatest of detail. A single island, paired, or grouped in blocks of four or eight – any combination you choose blends together in perfect harmony. Practical cover trims close gaps between adjoining cases to maintain continuity of line and contour. You can always be sure of making a good impression when making more out of Grandor.

Accessories to round it all out



Double display header with price marking rail mount



Price marking rail mount without display header



Single display header with cover panel



Single display header with lettered lens



Lettered lenses



Electronic control unit:
Digital temperature readout



Power outlet on bracket for alarm output



Case joint lock and display header mounts



Case joint trim



Dividers and display racks



Dividers



Display racks



Standard bumper (Herlit grey)



Optional bumper (blue)



Floor-sealing plinth enclosure

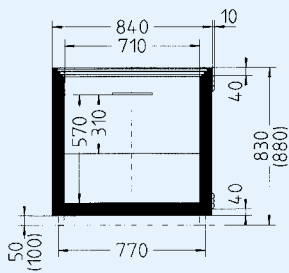
Grandor Frozen Food Island in 2 basic lengths:



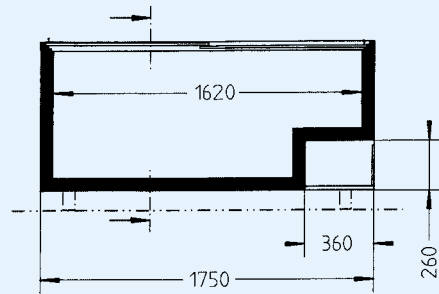
Grandor 1887 G
Length 1750 mm

Grandor 2587 G
Length 2500 mm

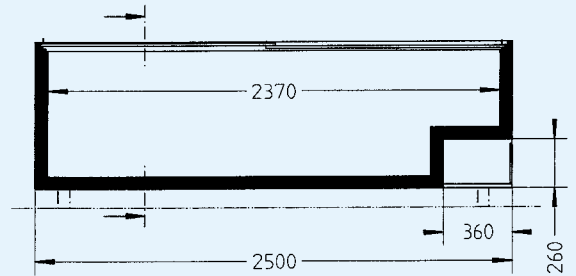
Measurements:



Grandor .87 G



Grandor 1887 G



Grandor 2587 G

Data		Grandor 1887 G	Grandor 2587 G
Length without bumper	[mm]	1750	2500
Display area	[m ²]	1.15	1.68
Cubic capacity	[l]	585	890
Storage temperature	[°C]	-18 to -23	-18 to -23
Climate Class		3*/4**	3*/4**
Test Package Temperature Class		L 1	L 1
Power supply	[V]/[Hz]	230/50	230/50
Fuse rating	[A]	13	13
Refrigerant		R 404 A	R 404 A

* Climate Class 3: Tested at 25 °C and 60 % RH.
** Climate Class 4: Tested at 30 °C and 55 % RH.

Linde AG
Refrigeration and
Shop Equipment Division
Sürther Hauptstrasse 173
50999 Cologne
Germany
Phone +49-22 36-6 01 01
Fax +49-22 36-60 11 54
E-Mail: compact.line@linde-kt.de
www.linde-refrigeration.com

