

Medium temperature merchandiser

Tulip TC 17/33

Open, refrigerated display unit with a small footprint and curved definition design. Excellent product display in the fully glazed product compartment.

Options and accessories

- Sliding glass lid.
- Lightbox (TC 17).



TULIP 17



TULIP 33



CUSTOMER'S NO 1 CHOICE

Tulip TC 17/33

Some features and benefits

- All products fully displayed from top and through glazed sides.
- Footprint just 0,66 m² for Tulip 17 – ideal to place in the cash register zone.
- Wheels are standard and make the unit easy to place, easy to move around.
- Suitable for branding or profiling in different colour combinations.

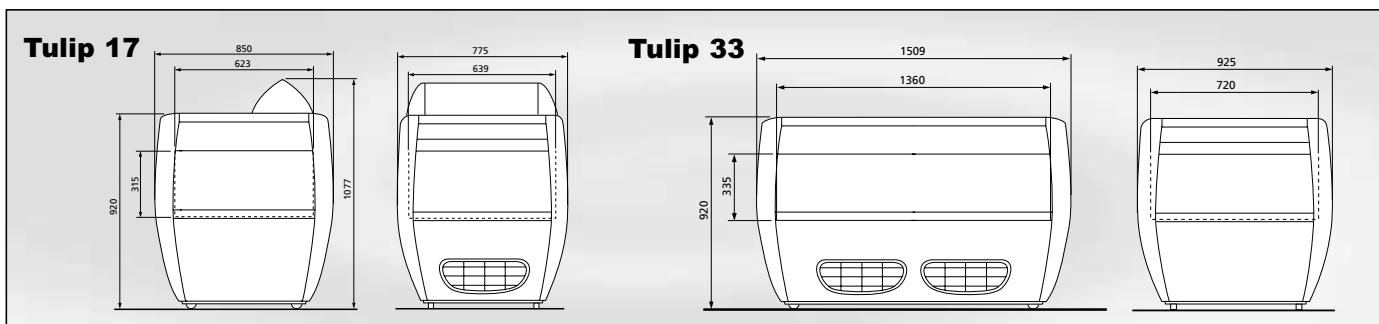
Cooling

- Forced air cooling system.
- Refrigerant R134a, CFC free.
- Fully automatic defrost and water evaporation.



Lightbox Dimensions of transparency

Model	Length x height, mm
TC 17	470 x 185 mm
4 mm at each side, 5 mm at top and 9 mm at bottom are covered by the lightbox frame.	



Technical data

Models	Storage temperature, °C	Display area, m ²	Net volume dm ³	Net capacity		Total weight incl packing, kg	Loading capacity		Electric supply**
				Cans 33 cl	Bottles 50 cl PET		Cont 40 ft	Truck 13,6 m	
TC 17	-1/0	0,93	125	225	150	108	60	90	230V* 50Hz 10A Ⓢ
TC 33	-1/0	2,10	328	610	390	198	30	34	

* Voltage range 220–240V~

** 230V 60Hz also available

